





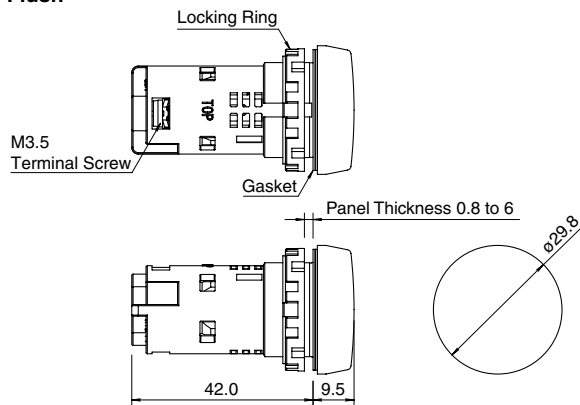
Pilot Lights (Unibody)

Package Quantity: 1

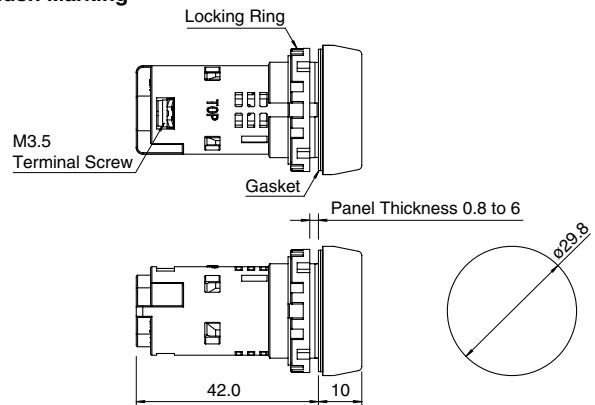
Shape	Lamp	Operating Voltage	Part No.	② Lens Color Code
Flush Full Voltage 	LED	6V AC/DC	YW1P-1UQ2②	A: amber G: green PW: pure white R: red S: blue W: white Y: yellow
		12V AC/DC	YW1P-1UQ3②	
		24V AC/DC	YW1P-1UQ4②	
		100/110V AC	YW1P-1UQH②	
		230/240V AC	YW1P-1UQM3②	
Flush Marking Full Voltage 	LED	6V AC/DC	YW1P-1BUQ2②	
		12V AC/DC	YW1P-1BUQ3②	
		24V AC/DC	YW1P-1BUQ4②	
		100/110V AC	YW1P-1BUQH②	
		230/240V AC	YW1P-1BUQM3②	
Extended Full Voltage 	LED	6V AC/DC	YW1P-2TUQ2②	
		12V AC/DC	YW1P-2TUQ3②	
		24V AC/DC	YW1P-2TUQ4②	
		100/110V AC	YW1P-2TUQH②	
		230/240V AC	YW1P-2TUQM3②	
Dome Full Voltage 	LED	6V AC/DC	YW1P-2UQ2②	
		12V AC/DC	YW1P-2UQ3②	
		24V AC/DC	YW1P-2UQ4②	
		100/110V AC	YW1P-2UQH②	
		230/240V AC	YW1P-2UQM3②	

Dimensions

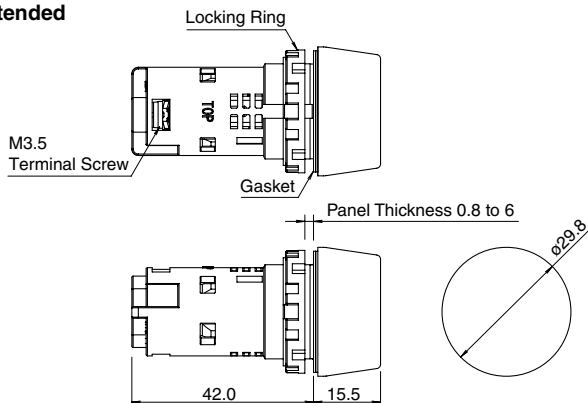
Flush



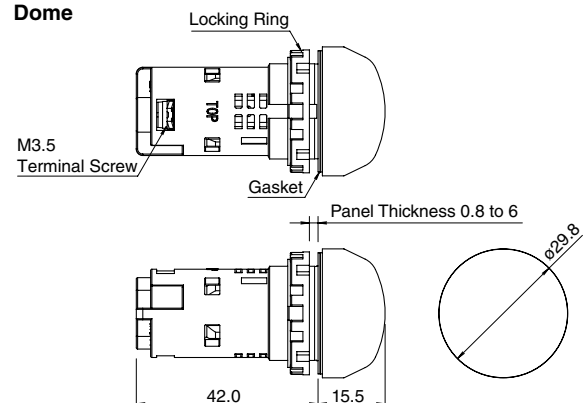
Flush Marking



Extended



Dome



All dimensions in mm.

ø22 YW Series Pilot Lights

Pilot Lights (with Removable Lamp Terminal)

Package Quantity: 1

Shape	Lamp	Operating Voltage	Part No.	② Lens Color Code	
Flush Full Voltage  	Without Lamp	250V AC/DC max.	YW1P-1EQ0 ②	A (amber), C (clear), G (green), R (red), S (blue), W (white), Y (yellow)	
	LED	6V AC/DC	YW1P-1EQ2 ②	A (amber), G (green), PW (pure white), R (red), S (blue), W (white), Y (yellow) Built-in LED lamp: LSED-③②	
		12V AC/DC	YW1P-1EQ3 ②		
		24V AC/DC	YW1P-1EQ4 ②		
		110V AC/DC	YW1P-1EQH ②		
		230/240V AC/DC	YW1P-1EQM3 ②		
	Incandescent	6V AC/DC	YW1P-1EQ5 ②	A (amber), C (clear), G (green), R (red), S (blue), W (white), Y (yellow) Built-in incandescent lamp: LS-T③	
		12V AC/DC	YW1P-1EQ6 ②		
		24V AC/DC	YW1P-1EQ7 ②		
	Flush Transformer  	LED	100/110V AC	YW1P-1EH2 ②	A (amber), G (green), PW (pure white), R (red), S (blue), W (white), Y (yellow) Built-in LED lamp: LSED-6②
200/220V AC			YW1P-1EM2 ②		
115/120V AC			YW1P-1EH22 ②		
230/240V AC			YW1P-1EM42 ②		
Incandescent		100/110V AC	YW1P-1EH5 ②	A (amber), C (clear), G (green), R (red), S (blue), W (white), Y (yellow) Built-in incandescent lamp: LS-T6	
		200/220V AC	YW1P-1EM5 ②		
		115/120V AC	YW1P-1EH25 ②		
		230/240V AC	YW1P-1EM45 ②		
Flush Marking Full Voltage  		Without Lamp	250V AC/DC max.	YW1P-1BEQ0 ②	A (amber), G (green), R (red), S (blue), W (white), Y (yellow)
		LED	6V AC/DC	YW1P-1BEQ2 ②	A (amber), G (green), PW (pure white), R (red), S (blue), W (white), Y (yellow) Built-in LED lamp: LSED-③②
	12V AC/DC		YW1P-1BEQ3 ②		
	24V AC/DC		YW1P-1BEQ4 ②		
	110V AC/DC		YW1P-1BEQH ②		
	230/240V AC/DC		YW1P-1BEQM3 ②		
	Incandescent	6V AC/DC	YW1P-1BEQ5 ②	A (amber), G (green), R (red), S (blue), W (white), Y (yellow) Built-in incandescent lamp: LS-T③	
		12V AC/DC	YW1P-1BEQ6 ②		
		24V AC/DC	YW1P-1BEQ7 ②		
	Flush Marking Transformer  	LED	100/110V AC	YW1P-1BEH2 ②	A (amber), G (green), PW (pure white), R (red), S (blue), W (white), Y (yellow) Built-in LED lamp: LSED-6②
200/220V AC			YW1P-1BEM2 ②		
115/120V AC			YW1P-1BEH22 ②		
230/240V AC			YW1P-1BEM42 ②		
Incandescent		100/110V AC	YW1P-1BEH5 ②	A (amber), G (green), R (red), S (blue), W (white), Y (yellow) Built-in incandescent lamp: LS-T6	
		200/220V AC	YW1P-1BEM5 ②		
		115/120V AC	YW1P-1BEH25 ②		
		230/240V AC	YW1P-1BEM45 ②		

Note: Specify a lens color code in place of ② in the Part No.
Clear lenses are used for PW (pure white) illumination of pilot lights.

YW Series Pilot Lights ø22

Shape	Lamp	Operating Voltage	Part No.	② Lens Color Code
Extended Full Voltage  	Without Lamp	250V AC/DC max.	YW1P-2TEQ0 ②	A (amber), C (clear), G (green), R (red), S (blue), W (white), Y (yellow)
	LED	6V AC/DC	YW1P-2TEQ2 ②	A (amber), G (green), PW (pure white), R (red), S (blue), W (white), Y (yellow) Built-in LED lamp: LSED-3②
		12V AC/DC	YW1P-2TEQ3 ②	
		24V AC/DC	YW1P-2TEQ4 ②	
		110V AC/DC	YW1P-2TEQH ②	
		230/240V AC/DC	YW1P-2TEQM3 ②	
	Incandescent	6V AC/DC	YW1P-2TEQ5 ②	A (amber), C (clear), G (green), R (red), S (blue), W (white), Y (yellow) Built-in incandescent lamp: LS-T③
		12V AC/DC	YW1P-2TEQ6 ②	
		24V AC/DC	YW1P-2TEQ7 ②	
	Extended Transformer  	LED	100/110V AC	YW1P-2TEH2 ②
200/220V AC			YW1P-2TEM2 ②	
115/120V AC			YW1P-2TEH22 ②	
230/240V AC			YW1P-2TEM42 ②	
Incandescent		100/110V AC	YW1P-2TEH5 ②	A (amber), C (clear), G (green), R (red), S (blue), W (white), Y (yellow) Built-in incandescent lamp: LS-T6
		200/220V AC	YW1P-2TEM5 ②	
		115/120V AC	YW1P-2TEH25 ②	
		230/240V AC	YW1P-2TEM45 ②	
Dome Full Voltage  	Without Lamp	250V AC/DC max.	YW1P-2EQ0 ②	A (amber), C (clear), G (green), R (red), S (blue), W (white), Y (yellow)
	LED	6V AC/DC	YW1P-2EQ2 ②	A (amber), G (green), PW (pure white), R (red), S (blue), W (white), Y (yellow) Built-in LED lamp: LSED-3②
		12V AC/DC	YW1P-2EQ3 ②	
		24V AC/DC	YW1P-2EQ4 ②	
		110V AC/DC	YW1P-2EQH ②	
		230/240V AC/DC	YW1P-2EQM3 ②	
	Incandescent	6V AC/DC	YW1P-2EQ5 ②	A (amber), C (clear), G (green), R (red), S (blue), W (white), Y (yellow) Built-in incandescent lamp: LS-T③
		12V AC/DC	YW1P-2EQ6 ②	
		24V AC/DC	YW1P-2EQ7 ②	
	Dome Transformer  	LED	100/110V AC	YW1P-2EH2 ②
200/220V AC			YW1P-2EM2 ②	
115/120V AC			YW1P-2EH22 ②	
230/240V AC			YW1P-2EM42 ②	
Incandescent		100/110V AC	YW1P-2EH5 ②	A (amber), C (clear), G (green), R (red), S (blue), W (white), Y (yellow) Built-in incandescent lamp: LS-T6
		200/220V AC	YW1P-2EM5 ②	
		115/120V AC	YW1P-2EH25 ②	
		230/240V AC	YW1P-2EM45 ②	

Note: Specify a lens color code in place of ② in the Part No.
Clear lenses are used for PW (pure white) illumination of pilot lights.

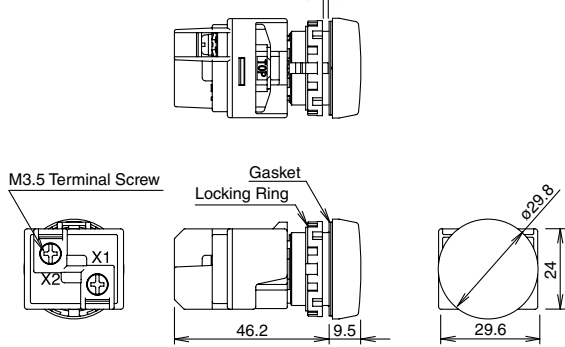
ø22 YW Series Pilot Lights

Dimensions (Pilot Lights with Removable Lamp Terminal)

Flush

Full Voltage

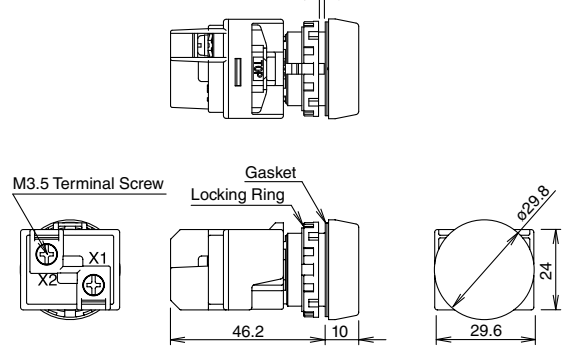
Panel Thickness 0.8 to 6



Flush Marking

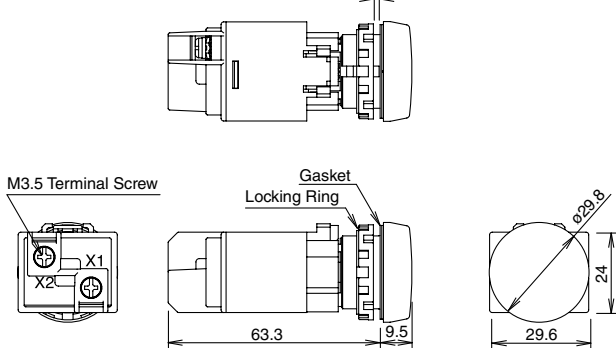
Full Voltage

Panel Thickness 0.8 to 6



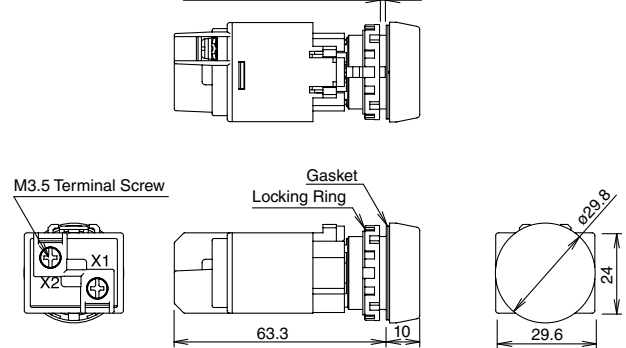
Transformer

Panel Thickness 0.8 to 6



Transformer

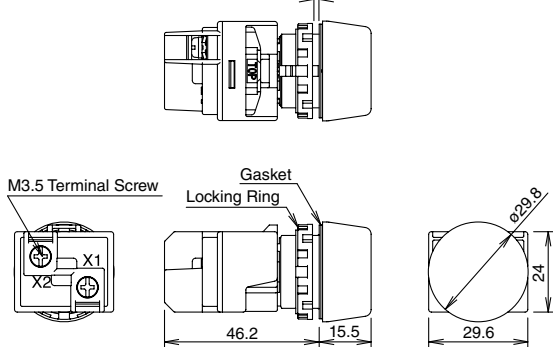
Panel Thickness 0.8 to 6



Extended

Full Voltage

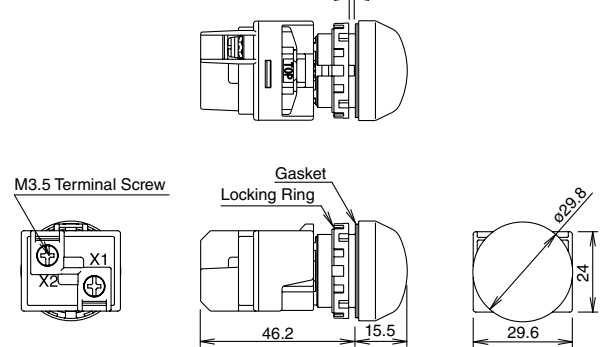
Panel Thickness 0.8 to 6



Dome

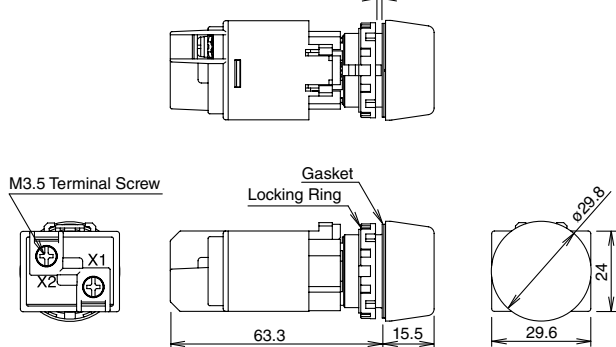
Full Voltage

Panel Thickness 0.8 to 6



Transformer

Panel Thickness 0.8 to 6



Transformer

Panel Thickness 0.8 to 6

