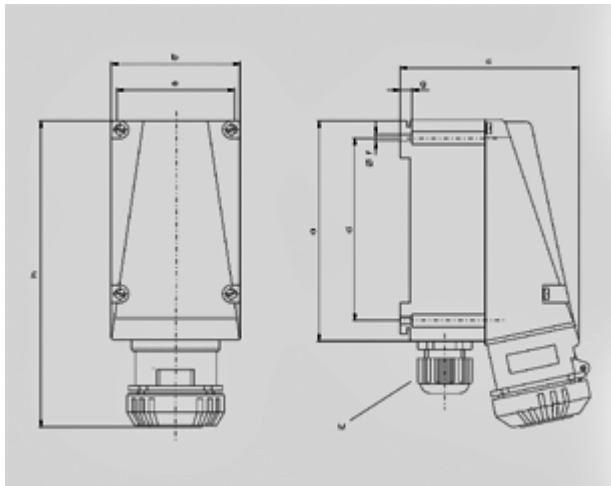


Wall mounted socket - Part no. 7806


- screw terminals
- all-pole ON/OFF switching by turning the plug
- identification acc. to 94/9/EG: II 3D Ex tD A22 T80°C
- dust ignition protection type provided: Ex de IIC T6
- cable entry 1x Ex-cable gland and 1x Ex-screw plug made of plastic at bottom
- enclosure: glass-fibe reinforced polyester
- permissible ambient temperature: -25°C to +45°C

Protection type	IP 66
Ampere	16 A
Poles	3p
Voltage	230
Hertz	50-60Hz
Earth position	6h
Contact	standard
Connection technology	Screw terminals

Std. Pack. 1 Qty.



Drawing	Amp.	16			32	
		Poles			4	5
D22516-7a		3	4	5	4	5
Dim. in mm	a	155	175	175	205	205
	b	90	110	110	120	120
	c	121	147	147	166	166
	d	115	135	135	170	170
	e	80	100	100	110	110
	f	7	7	7	7	7
	g	11	11	11	11	11
	h	223	236	236	285	285
	M	25	25	25	40	40
	M*	25 (mounted cable gland)			40 (mounted cable gland)	
	Max. cable diam. (mm)	8-17	8-17	8-17	17-28	17-28
	Terminal for cond. cross section (mm ²) min.-max.	1	1	1	4	4
		-4	-4	-4	-10	-10