

Technical data sheet ISOLAB measuring system arrester tester

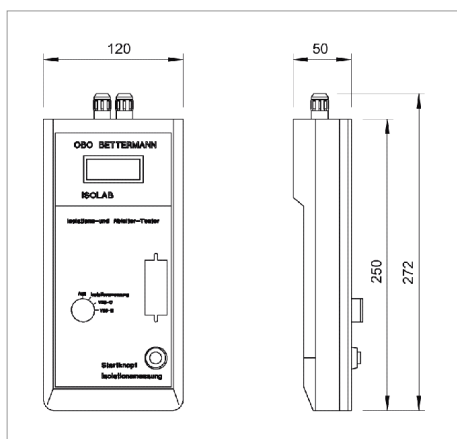


To test the insulation resistance to DIN VDE 0100 Part 610 and the characteristic curve behaviour of the following surge voltage and lightning current arrestors:

- V10-C and V20-C: U_c Tolerance range
 - 75 V → 110 V - 130 V
 - 150 V → 215 V - 265 V
 - 280 V → 385 V - 475 V
 - 320 V → 460 V - 560 V
 - 335 V → 460 V - 560 V
 - 385 V → 560 V - 680 V
 - 440 V → 645 V - 785 V
 - 550 V → 820 V - 1,000 V

- V25-B+C and V50-B+C: U_c Tolerance range
 - 150 V → 215 V - 265 V
 - 280 V → 385 V - 475 V
 - 320 V → 460 V - 560 V
 - 385 V → 560 V - 680 V

- Varistor arrestors of other manufacturers can be tested for 1 or 3 mA characteristic curve behaviour
- Battery operation
- Measuring cables contained in the scope of delivery.



Type	Country-specific version	Nominal voltage V	Measuring range	Pack. pcs	Weight kg/100 pcs.	Art-No.
ISOLAB	D/GB	6	0 V - 999 V	1	165.000	5096812

/pc.

