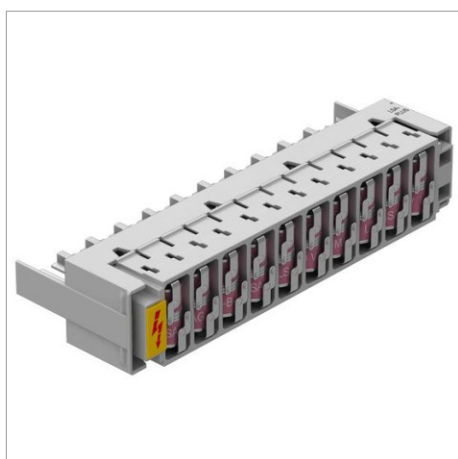


Technical data sheet

LSA-Plus technology / LSA basic protection



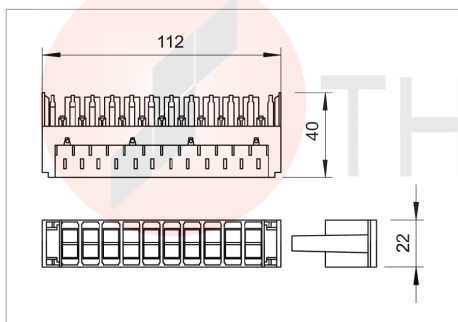
LSA-B-MAG: LSA basic protection magazine for use in multi-core data cable systems, MCR systems and telephone switchboards.

- Basic protection
- Fitted with 20 gas discharge protectors
- Max. voltage: 180 V

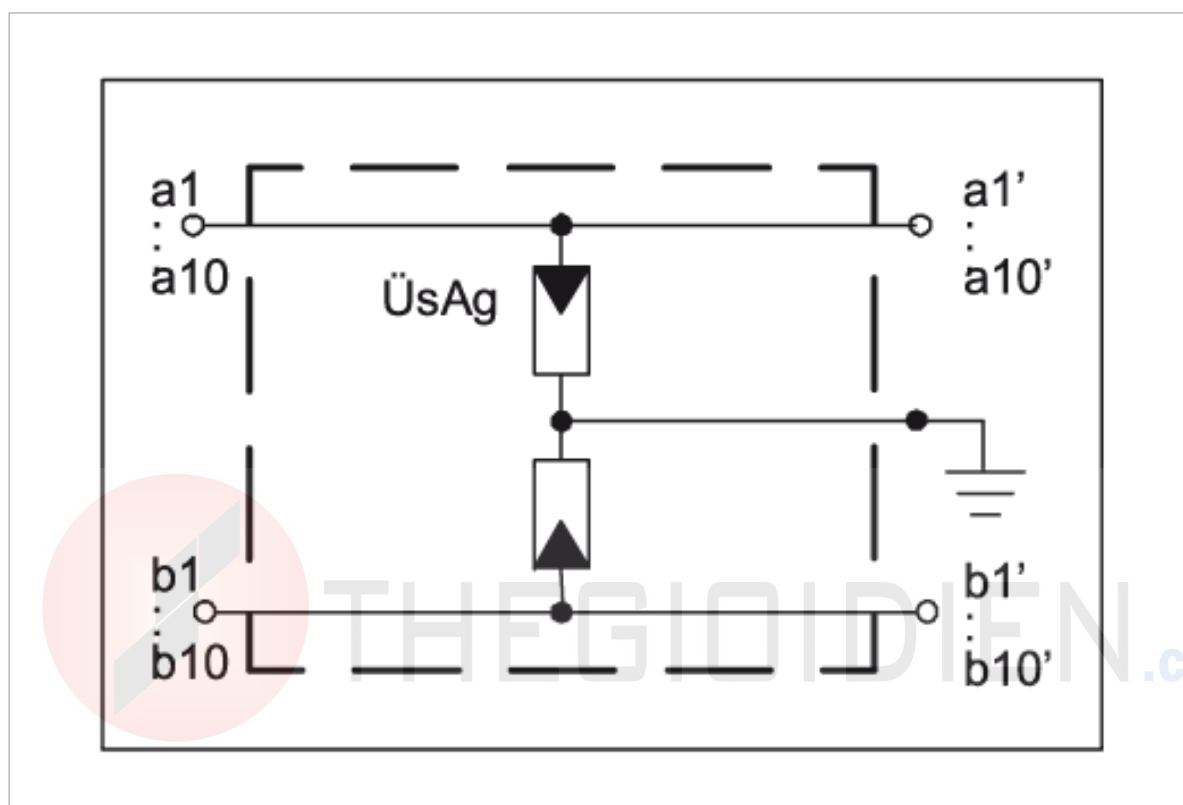
Application: Direct on LSA-Plus separation or connection bars

Type	Max. continuous operating voltage V	Pack. pcs	Weight kg/100 pcs.	Art-No.
LSA-B-MAG	180	1	8.600	5084020

/pc.



Connection-/Circuit diagram



Article number			5084020
Max. continuous operating voltage	U_C	V	180
Lightning protection Zone LPZ			0→2
Impulse discharge current (10/350)	I_{imp}	kA	1
Nominal discharge current (8/20)	I_n	kA	5
Maximum discharge current	I_{max}	kA	10
Voltage protection level	U_p	kV	<0,700
Temperature range	ϑ	°C	-40 - +80