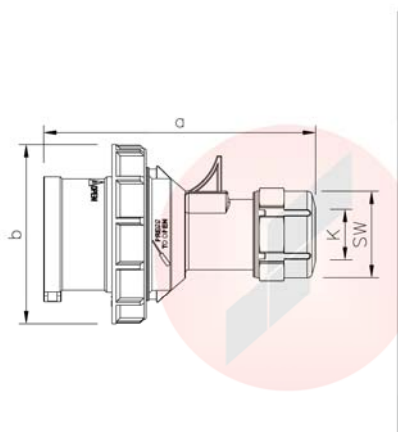


Amp.	Poles	pack. unit	110V~	230V~	400V~	500V~	>50-500V~	>50-500V~
			50/60Hz 4h	50/60Hz 3p=6h 4p+5p=9h	50/60Hz 3p=9h 4p+5p=6h	50/60Hz 7h	100-300Hz 10h	301-500Hz 2h
			Cat.No.	Cat.No.	Cat.No.	Cat.No.	Cat.No.	Cat.No.
16	3	10	0132-4	<b>0132-6</b>	0132-9	0132-7	0132-10	0132-2
16	4	10	0142-4	0142-9	<b>0142-6</b>	0142-7	0142-10	0142-2
16	5	10	0152-4	0152-9	<b>0152-6</b>	0152-7	0152-10	0152-2
32	3	10	0232-4	<b>0232-6</b>	0232-9	0232-7	0232-10	0232-2
32	4	10	0242-4	0242-9	<b>0242-6</b>	0242-7	0242-10	0242-2
32	5	10	0252-4	0252-9	<b>0252-6</b>	0252-7	0252-10	0252-2



0152-6



## „Twist“ Plug

Poles	16 Amp			32 Amp		
	3	4	5	3	4	5
a	118	124	131	146	146	152
b	71	79	87	93	93	100
K_cable Ø [mm]	6-15	6-15	8-16	11,5-20	11,5-20	11,5-22
Kind of connection:	Screw terminal					
Wire flexible [mm <sup>2</sup> ]	1-2,5			2,5-6		
Contact screws [Ncm]	100 Ncm			110 Ncm		
SW	38	38	42	50	50	50
Weight [g]	133	153	180	218	237	273

- with screw terminals
- housing material: PA6
- contacts: brass
  - to order nickel-plated contacts please add a "v" e.g. 0152-6v

**IP67** watertight