



HIGH VOLTAGE ELECTRICAL TERMINALS LONG BARREL TWO HOLES หางปลาแรงสูงชนิดรูคู่

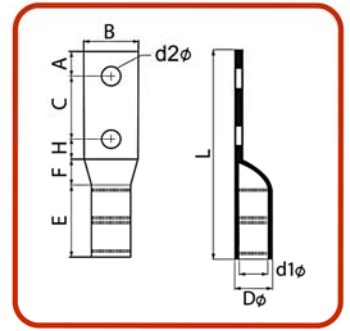
(HTL TYPE)

Permitted crimp in larger size for additional assurance on heavy duty load suitable for terminating cable size from 10-500

SQ.MM.12-35 KV.

Material: Copper tube Cu 99% up

Surface: Tin plated



Item No.	TIS Wire Size mm ²	(DIMENSIONS (MM.))										Q'TY in box
		d2φ	d1φ	Dφ	A	B	C	E	F	H	L	
HTL 10-6	10	6.4	4.5	6.2	9.5	12.0	15.8	21.5	7.4	11.5	65.7	100
HTL 10-8		8.4										
HTL 16-6	16	6.4	5.4	7.1	9.5	12.0	15.8	25.0	7.4	11.5	69.2	100
HTL 16-8		8.4										
HTL 25-6	25	6.4	6.8	8.8	11.5	15.0	15.8	28.5	7.4	13.5	76.7	100
HTL 25-8		8.4										
HTL 25-10		10.5										
HTL 35-6	35	6.4	8.2	10.6	11.5	17.0	19.0	32.0	8.0	13.5	84.0	50
HTL 35-8		8.4										
HTL 35-10		10.5										
HTL 50-8	50	8.4	9.5	12.4	11.5	19.0	22.7	35.0	10.9	13.5	93.6	40
HTL 50-10		10.5										
HTL 50-12		13.0			13.5	44.4	15.5	119.3				
HTL 70-8	70	8.4	11.2	14.7	11.5	21.0	22.7	35.0	10.9	13.5	93.6	40
HTL 70-10		10.5										
HTL 70-12		13.0			13.5	44.4	17.5	121.3				
HTL 95-8	95	8.4	10.5	17.4	13.5	25.5	44.4	38.0	15.8	17.5	129.2	20
HTL 95-10		10.5										
HTL 95-12		13.0										
HTL 120-10	120	10.5	15.0	19.4	14.5	28.0	44.4	40.0	18.8	18.5	136.2	20
HTL 120-12		13.0										
HTL 120-14		15.0										
HTL 150-12	150	13.0	16.5	21.2	16.5	30.5	44.4	50.0	19.8	20.5	151.2	20
HTL 150-14		15.0										
HTL 150-16		17.0										
HTL 185-12	185	13.0	18.5	23.5	16.5	34.0	44.4	50.0	19.8	20.5	151.2	10
HTL 185-14		15.0										
HTL 185-16		17.0										
HTL 240-12	240	13.0	21.5	27.0	16.5	39.5	44.4	56.0	24.8	20.5	162.2	10
HTL 240-14		15.0										
HTL 240-16		17.0										
HTL 300-12	300	13.0	23.5	30.0	16.5	43.5	44.4	67.0	26.8	20.5	175.2	10
HTL 300-14		15.0										
HTL 300-16		17.0										
HTL 400-12	400	13.0	27.0	35.0	16.5	50.8	44.4	67.0	26.8	20.5	175.2	5
HTL 400-14		15.0										
HTL 400-16		17.0										
HTL 500-12	500	13.0	30.0	39.0	16.5	56.0	44.4	75.0	33.8	20.5	190.2	5
HTL 500-14		15.0										
HTL 500-16		17.0										