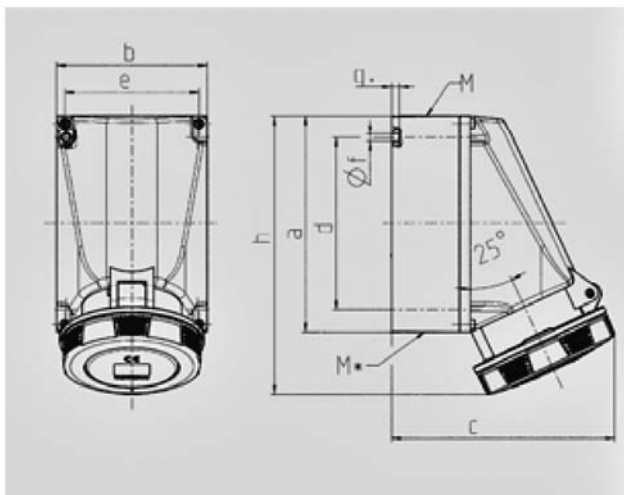


Wall mounted socket - Part no. 132A


- screw terminals
- with SoftCONTACT
- internal fixing
- one cable entry at top and two blind cable entries (can be cut out) at the bottom
- enclosure base can be turned 180°
- with 6 fixing points to accommodate special terminals
- products with pilot contacts: part no. + index P

Protection type	IP 67
Ampere	63A
Poles	4p
Voltage	400V
Hertz	50-60 Hz
Earth position	6h
Contact	standard
Connection technology	Screw terminals

Std. Pack. 5 Qty.



Drawing	Amp.	63		
		Poles		
		3	4	5
Dim. in mm				
a		170	170	170
b		118	118	118
c		175	175	175
d		134,5	134,5	134,5
e		103	103	103
f		6,1	6,1	6,1
g		6	6	6
h		219	219	219
M		40	40	40
M*		2x40 (blind) to be cut out		
Max. cable diam. (mm)		27	27	27
Terminal for cond. cross section (mm ²) min.-max.		6	6	6
		-25	-25	-25