






Surge protection, protection and spark gaps

	Spark gap	Explosion-protected	288
		Connection lugs	288
		Closed	288
	Protective spark gap	-	289
	Spark gap/surge voltage protection	To couple earthing systems	289



Protection and spark gaps



Explosion-proof, closed spark gap

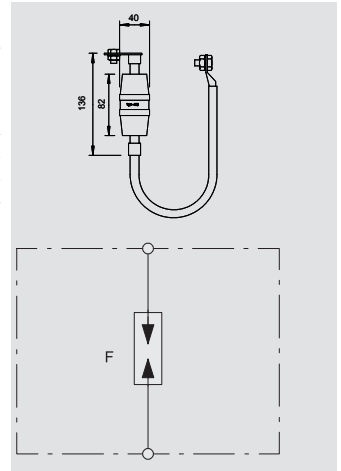
Type	Connection cable length	Contact voltage	Impulse discharge current (10/350)	Nominal discharge current (8/20)	Protection level	Temperature range	Pack.	Weight	Item No.
	m	kV	kA	kA	kV	°C	pcs	kg/100 pcs.	
480 180	0.18	1	100	100	< 3,0	-20+50	1	48.000	5240 03 4
480 250	0.25	1	100	100	< 3,0	-20+50	1	50.000	5240 07 7
480 350	0.35	1	100	100	< 3,0	-20+50	1	53.000	5240 06 9



/pc.

- Ex-tested to ATEX directive 94/9/EG
- Designation: Ex II 2G EEx d IIC T6
- Incl. connector cable 25 mm² Cu, highly-flexible, with cable lug, screw (M 10), nut and lock washer
- Pulsed current 100 kA (10/350µs)
- BET tested

Application: Indirect by-passing of insulating flanges and insulating glands.



Connection strap for Parex spark gap

Type	Bore hole Ø	Version	Pack.	Weight	Item No.
	mm		pcs	kg/100 pcs.	
484 M12	13	For M10 bolt	10	8.100	5240 22 0
484 M16	17	For M16 bolt	10	7.700	5240 23 9
484 M20	21	For M20 bolt	10	7.300	5240 24 7
484 M24	25	For M24 bolt	10	6.800	5240 25 5

St Steel **F** Hot-dip galvanised

/pc.

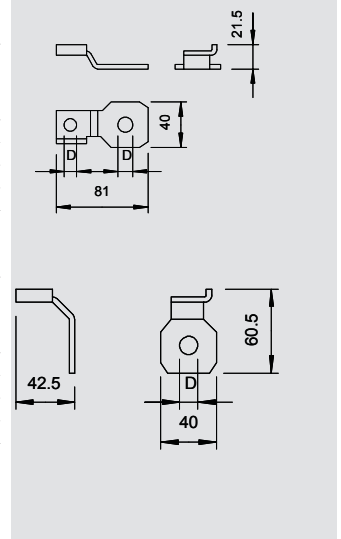
Attaching flange for installing OBO Parex spark gap 480 on insulating flanges.

Type	Bore hole Ø	Version	Pack.	Weight	Item No.
	mm		pcs	kg/100 pcs.	
485 M12	13	For M10 bolt	10	8.100	5240 32 8
485 M10	11	For M16 bolt	10	8.300	5240 30 1
485 M16	17	For M20 bolt	10	7.700	5240 33 6
485 M20	21	For M24 bolt	10	7.300	5240 34 4

St Steel **F** Hot-dip galvanised

/pc.

Attaching flange for installing OBO Parex spark gap 480 on insulating flanges.



Closed spark gap with lightning current carrying capability

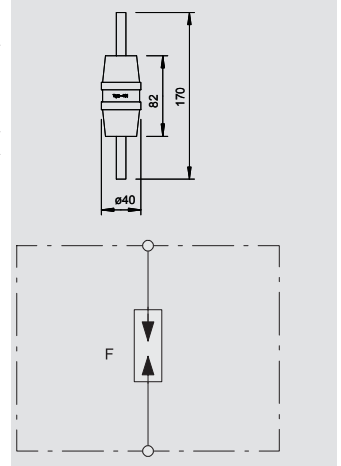
Type	Impulse discharge current (10/350)	Nominal discharge current (8/20)	Protection level	Contact voltage	Temperature range	Pack.	Weight	Item No.
	kA	kA	kV	kV	°C	pcs	kg/100 pcs.	
481	50	100	< 5	2.5	-20+50	1	26.500	5240 08 5

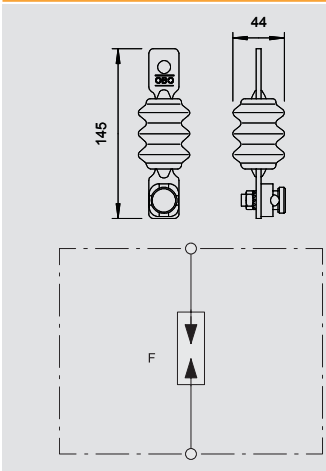
/pc.

Closed, lightning current carrying spark gap for separation of electrically conductive plant components.

- Connection bolts; Ø 10 mm; stainless steel.
- Pulsed current 50 kA (10/350)
- BET

Tested Application: Installation of electrical isolations for external lighting protection and earthing systems, e.g. two earthing systems on account of mutual influence or corrosion (corrosion current prevention).





Protective spark gap

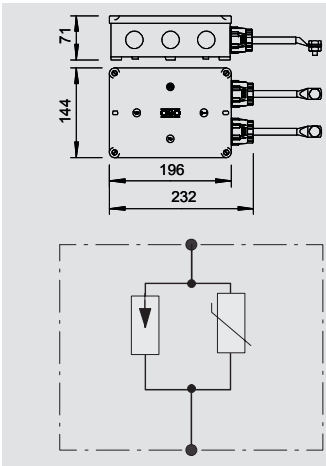


Type	Protection level kV	Contact voltage kV	Pack. pcs	Weight kg/100 pcs.	Item No.
482	< 10 kV	10	1	56.000	5240 05 0

/pc.

Closed spark gap for bridging a proximity point between roof standard of low-voltage system and components of outer lightning protection system

- Protection rating IP 54
- With pre-mounted type 5001 connector for attaching round conductors Rd 8 - 10



Spark gap / surge voltage protection for coupling earthing systems



Type	Max. continuous operating voltage V	Impulse discharge current (10/350) kA	Nominal discharge current (8/20) kA	Protection level kV	Degree of protection of enclosure	Pack. pcs	Weight kg/100 pcs.	Item No.
FS-V20	280	100	100	< 1,5	IP 54	1	170.000	5099 80 3

/pc.

The FS-V 20 device is a discharge gap with parallel-connected surge voltage protector. It is used to couple different earthing systems. It is connected directly to the equipotential bonding rail concerned.

Application: Coupling earthing systems in data technology sector (functional and operational earthing)



